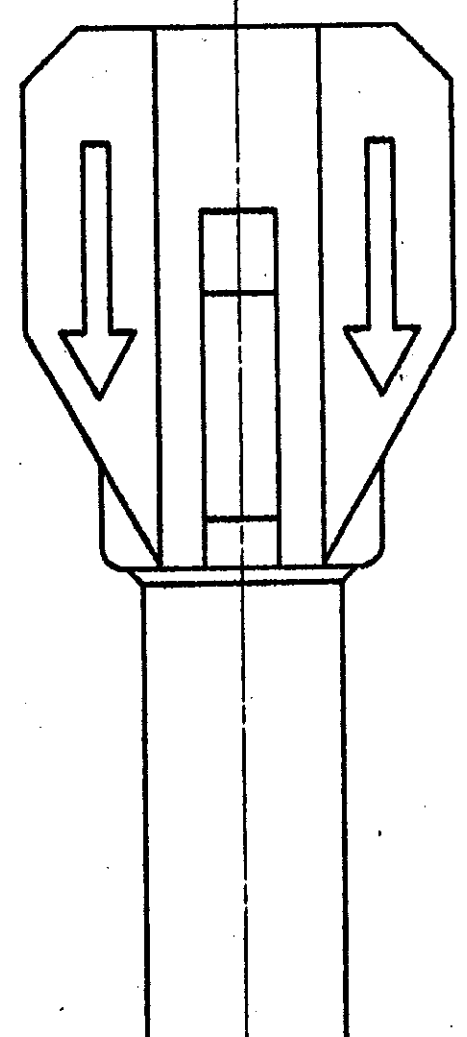
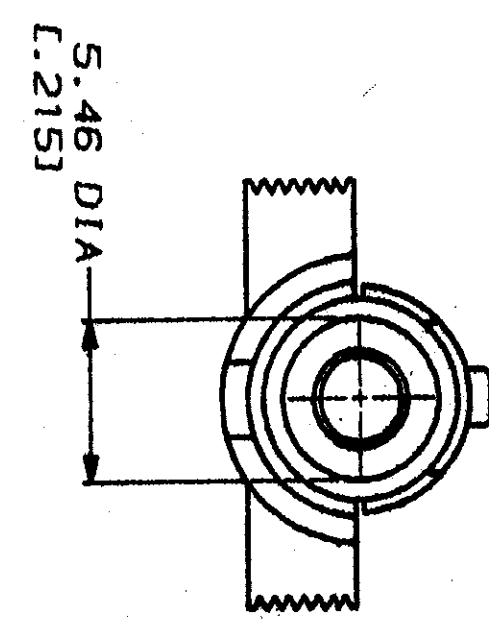
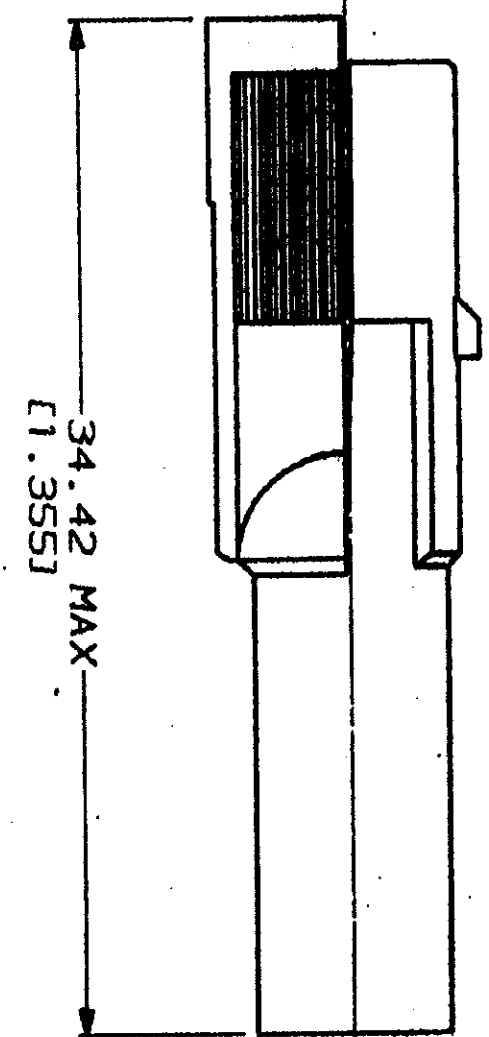
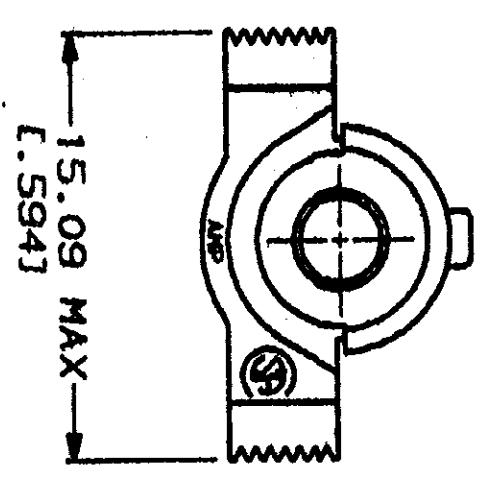


DRAWING MADE IN WINDMILL COLLECTION
 THIS DRAWING IS UNPUBLISHED. RELEASED FOR PUBLICATION
 BY AMP INCORPORATED. ALL INTELLECTUAL RIGHTS RESERVED.
 © COPYRIGHT BY AMP

REV. NO.	DATE	APPRO.
1	8-14-91	-

REV. NO.	DESCRIPTION	DATE	APPRO.
1	REDRAWN	8-14-91	-



OBSOLETE	GREEN	207535-3
OBSOLETE	BLUE	207535-2
	RED	207535-1
	COLOR	PART NUMBER

1. PRODUCT PERFORMANCE IN COMPLIANCE WITH APPLICABLE PORTIONS OF AMP PRODUCT SPECIFICATION 108-10033.

DO NOT SCALE PRINT. DIMENSIONS SPECIFIED UNLESS OTHERWISE INDICATED. DIMENSIONS IN INCHES UNLESS OTHERWISE SPECIFIED. 2 PLC DEC * 0.05(0.001) UNITS		OR 8-14-91 J. BALUCHI AS DATE	
MATERIAL THERMOPLASTIC COLOR: SEE TABLE		DRAWN BY A. TEAVIS CHECKED BY R. L. RALPH	
FINISH		SCALE	
APPLICATION SPEC		SIZE	
WEIGHT		CAGE CODE	
		00779	
		DRAWING NO	
		207535	
		SHEET	
		1 OF 1	